

# ENNA SQUARE SWITCHED

astro

## GENERAL

LOCATION:	Interior
CLASS:	CE (Class 1)
IP RATING:	IP20
BATHROOM ZONE:	Zone 3
VOLTAGE:	Mains 230V
INSTALLATION ORIENTATION:	Wall mount - vertical
MAIN MATERIAL:	Metal - Aluminium
DIMENSIONS:	H: 110mm W: 110mm D: 67mm
CUT OUT HOLE:	70mm/2-3/4"
RECESS DEPTH:	35mm
FIRE RATING:	Not applicable
CABLE LENGTH:	Not applicable
GROSS WEIGHT:	0.72Kg

## LAMP

LIGHT SOURCE:	HIGH POWER LED
MAXIMUM WATTAGE:	4.5W
LAMP INCLUDED:	Yes (Integral)
MAXIMUM LAMP LENGTH:	Not applicable
LUMINOUS FLUX:	111.44 lm
COLOUR TEMP:	2700K
CRI:	80
R9:	15.1
MACADAM ELLIPSE:	3-Step
TILT ADJUSTABLE ANGLE:	Not applicable
ROTATION ADJUSTABLE ANGLE:	Not applicable
AVERAGE LIFESPAN:	60,000hrs
L70:	>60,000hrs
BEAM ANGLE:	To be advised

## ELECTRICAL

SWITCHED:	Yes
DIMMABLE:	No
DIMMING METHOD:	Not applicable
DRIVER INCLUDED:	Yes (Integral)
DRIVER OUTPUT CURRENT:	Not applicable
DRIVER OUTPUT VOLTAGE:	Not applicable
SUPPLY FREQUENCY:	Not applicable
DRIVER/BALLAST VOLTAGE:	Not applicable
DRIVER AVERAGE LIFESPAN:	Not applicable
EFFICACY:	24.93lm/W

## ADDITIONAL INFORMATION

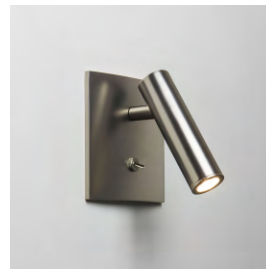
SHADE INCLUDED:	Not applicable
SHADE MATERIAL:	Not applicable



CODE: 1058016 (7360)  
FINISH: MATT WHITE



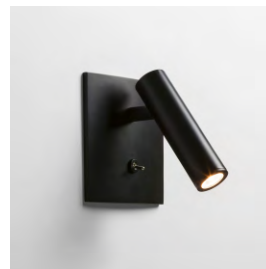
CODE: 1058017 (7361)  
FINISH: BRONZE



CODE: 1058018 (7362)  
FINISH: MATT NICKEL



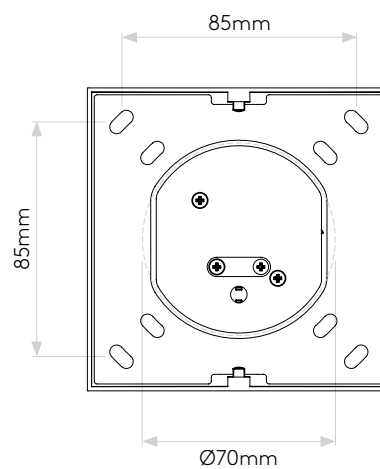
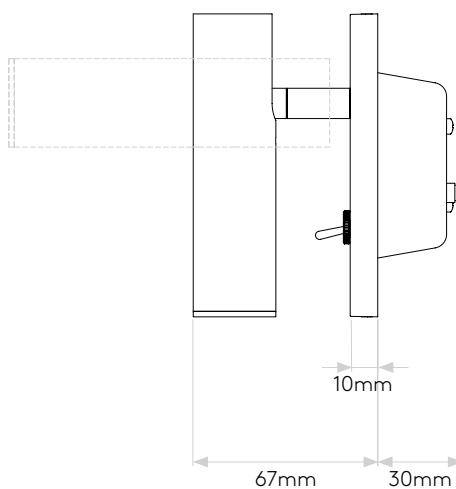
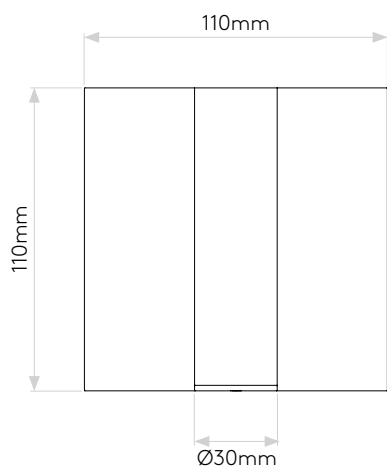
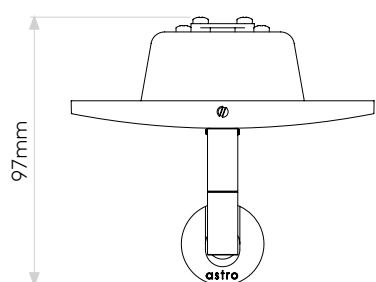
CODE: 1058019 (7363)  
FINISH: POLISHED CHROME



CODE: 1058024 (7496)  
FINISH: MATT BLACK



CODE: 1058095 (8385)  
FINISH: MATT GOLD



Please note that some dimensions may vary slightly due to manufacturing tolerances, this includes cable entry and fixing holes

Veillez noter que certaines dimensions peuvent varier légèrement en raison des tolérances de fabrication, y compris l'entrée de câble et les trous de fixation.

Bitte beachten Sie, dass die Maße Fertigungstoleranzen unterliegen und daher in geringem Umfang von der angegebenen Größe abweichen können. Dies gilt auch für Kabeingänge und Befestigungslöcher.

Si prega notare che possono esserci piccole variazioni in alcune dimensioni dovute alle tolleranze di produzione, queste includono l'ingresso del cavo e i fori di fissaggio.