



PRODUCT SPECIFICATION

GENERAL

FINISH:	Matt White	CABLE LENGTH:	Not Applicable
MAIN MATERIAL:	Metal - Zinc	GROSS WEIGHT:	2.1 (Kg)
DIMENSIONS:	H: 241mm W: 151mm D: 88mm	CLASS:	CE (Class I)
INSTALLATION ORIENTATION:	Wall Mount - Horizontal/Vertical	IP RATING:	IP20
CUT OUT HOLE:	Not Applicable	BATHROOM ZONE:	Not Applicable
RECESS DEPTH:	Not Applicable	VOLTAGE:	Mains 230v
FIRE RATING:	Not Applicable	PRODUCT F MARK:	Suitable for mounting on flammable materials

MAIN LAMP

LIGHT SOURCE:	LED Strip	R9:	27
MAXIMUM WATTAGE:	9.7W	MACADAM ELIPSE:	+/-100K
LAMP INCLUDED?	Yes (Integral)	UGR:	Not Applicable
LUMINOUS FLUX:	112 (lm)	BEAM ANGLE:	Not Applicable
COLOUR TEMP:	2700 (K)	AVERAGE LIFESPAN:	Not Applicable
CRI:	80	L70:	Not Applicable

ADDITIONAL LAMP

LIGHT SOURCE:	High Power LED	MACADAM ELLIPSE:	3-Step
MAXIMUM WATTAGE:	4.1W	UGR:	Not Applicable
LAMP INCLUDED?	Yes (Integral)	BEAM ANGLE:	17 (Degrees)
LUMINOUS FLUX:	149 (lm)	TILT ADJUSTMENT ANGLE:	90 (Degrees)
COLOUR TEMP:	2700 (K)	ROTATION ADJUSTMENT ANGLE:	330 (Degrees)
CRI:	80	AVERAGE LIFESPAN:	60,000 (Hrs)
R9:	6	L70:	>60,000 (Hrs)

ELECTRICAL - MAIN LAMP

SWITCHED:	Yes	SUPPLY FREQUENCY:	47/63 (Hz)
DIMMABLE:	No	DRIVER / BALLAST VOLTAGE:	90-264 (V)
DIMMING METHOD:	Not Applicable	DRIVER AVERAGE LIFESPAN:	20,000 (Hrs)
DRIVER OUTPUT CURRENT:	Not Applicable	MAIN LAMP EFFICACY:	11.55 (lm/W)
DRIVER OUTPUT VOLTAGE:	12 (mA)	DRIVER / BALLAST INCLUDED?	Yes (Integral)

ELECTRICAL - ADDITIONAL LAMP

DRIVER OUTPUT CURRENT:	700 (mA)	DRIVER AVERAGE LIFESPAN:	3000 (Hrs)
DRIVER OUTPUT VOLTAGE:	100-277 (V)	ADDITIONAL LAMP EFFICACY:	36.34 (lm/W)
SUPPLY FREQUENCY:	50/60 (Hz)	DRIVER / BALLAST INCLUDED?	Yes (Integral)
DRIVER / BALLAST VOLTAGE:	Not Applicable		

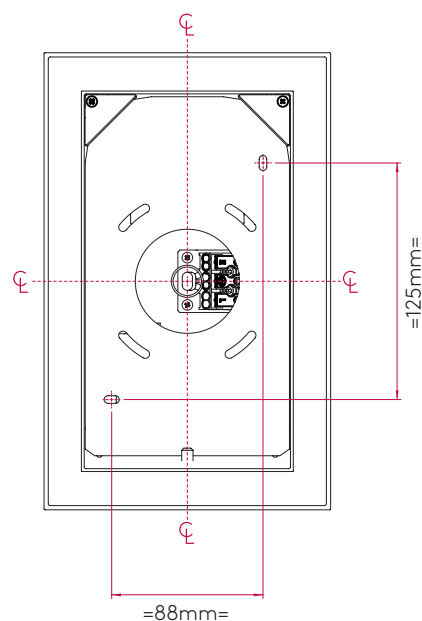
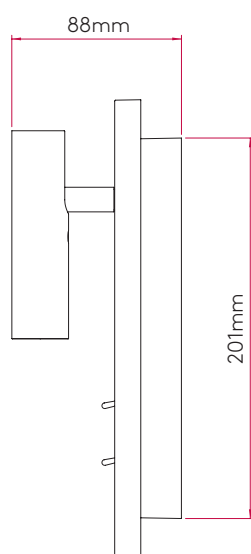
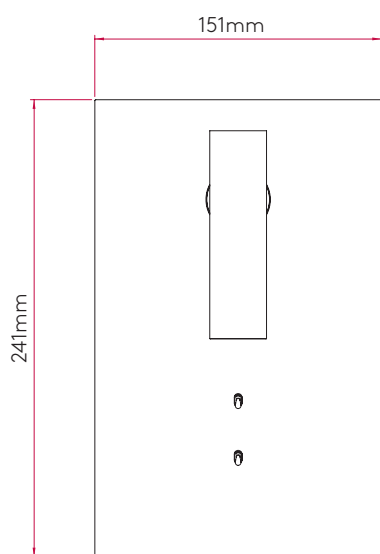
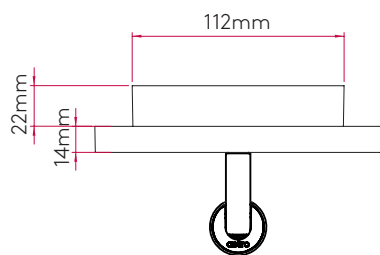
PRODUCT ELEVATIONS

GB Please note that some dimensions may vary slightly due to manufacturing tolerances, this includes cable entry and fixing holes.

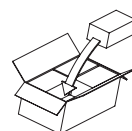
FR Veuillez noter que certaines dimensions peuvent varier légèrement en raison des tolérances de fabrication, y compris l'entrée de câble et les trous de fixation.

DE Bitte beachten Sie, dass die Maße Fertigungstoleranzen unterliegen und daher in geringem Umfang von der angegebenen Größe abweichen können. Dies gilt auch für Kabeleingänge und Befestigungslöcher.

IT Si prega notare che possono esserci piccole variazioni in alcune dimensioni dovute alle tolleranze di produzione, queste includono l'ingresso del cavo e i fori di fissaggio.



ADDITIONAL INFORMATION



BOX QUANTITY x 10